

IN-LINE CHECK VALVE SERIES VNR L

**METAL
WORK**
P N E U M A T I C

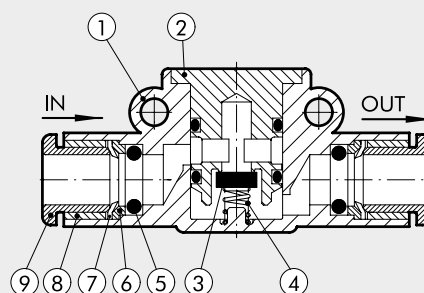
The VNR L check valve belongs to the LINE ON LINE® family, which means it can be connected to all the other components in series or in parallel. Available in the version for pipe-pipe connection with two push-in fittings, and in the version for thread-pipe connection with a brass nickel-plated male thread and a push-in fitting. It is still the only check valve with holes for wall mounting.



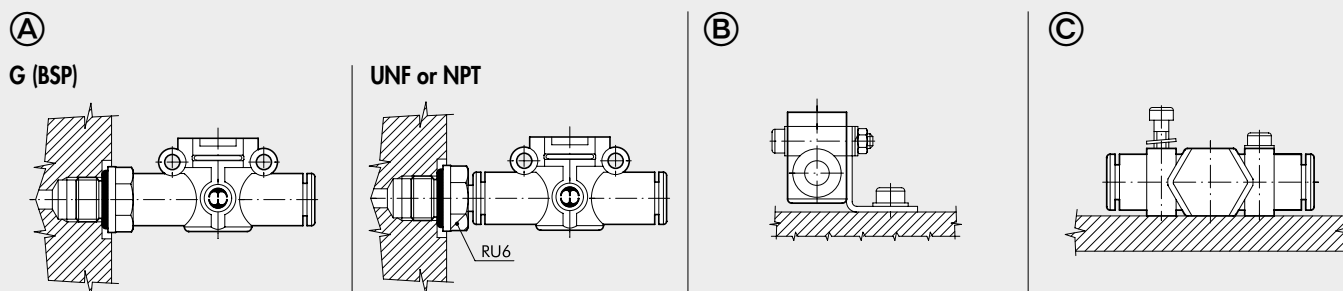
TECHNICAL DATA		Ø 4 (Ø5/32")	Ø 6	Ø 1/4"	Ø 8 (Ø5/16")
Operating pressure	MPa			0.05 to 1.2	
	bar			0.5 to 12	
	psi			7.2 to 174	
Temperature range	°C			-20 to +60	
	°F			-4 to +140	
Flow rate at 6.3 bar ΔP 1 bar	Nl/min	80	320	320	480
Recommended pipe Fluid		Rilsan PA11 - Nylon 6 - Polyamide 12 - Polypropylene Lubricated or unlubricated filtered compressed air; if used, must be continuous			

COMPONENTS

- ① Technopolymer body
- ② Nickel-plated brass insert
- ③ NBR valve
- ④ Stainless steel valve compression spring
- ⑤ NBR gasket
- ⑥ Technopolymer spring ring
- ⑦ Stainless steel folding spring
- ⑧ Technopolymer locking bushing
- ⑨ Technopolymer release bushing



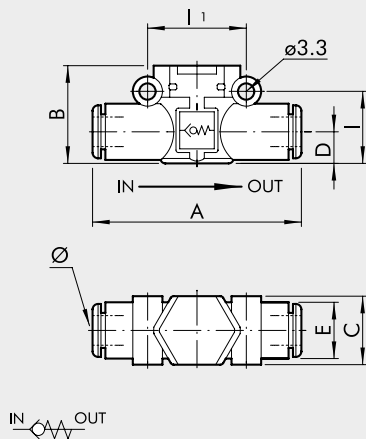
ASSEMBLY OPTIONS



How to mount the VNR L:

- Fig. A **G (BSP)**: With the male threaded port it is possible to mount the VNR L straight onto the female thread.
UNF or NPT: Adding a RU6 fitting, with his male UNF or NPT thread, it is possible to mount the VNR L straight on to the actuator or the control valve.
- Fig. B Fixing to the plate with the special SQU L bracket.
- Fig. C There are two robust rings on the plastic body for fixing the VNR L straight onto the wall.

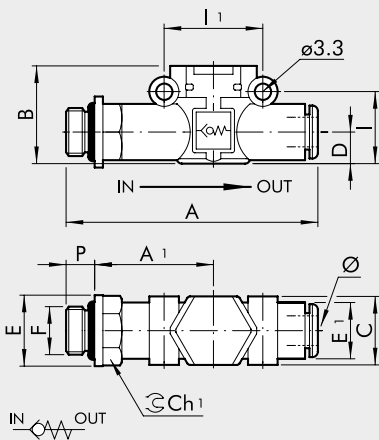
VNR L PIPE - PIPE



Code	Ref.	Ø	A	B	C	D	E	I	I1
9064001	VNR L Ø4-Ø4	4 ▲	41.8	17.5	10.7	5.6	10	12.8	16
9064016	VNR L Ø6-Ø6	6	49.4	20	14.7	6.4	11.4	14.6	20
9064016U	VNR L Ø1/4-Ø1/4	1/4	49.4	20	14.7	6.4	11.4	14.6	20
9064024	VNR L Ø8-Ø8	8 ▲	57.3	25.5	18.7	9.1	13.8	18.7	24

▲ Ø4 = Ø5/32"; Ø8 = Ø5/16"

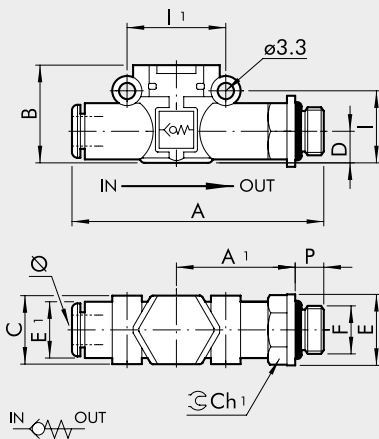
VNR L G (BSP) THREAD - PIPE



Code	Ref.	F	Ø	P	A	A1	B	C	E	E1	I	I1	Ch1
9064101	VNR L M5-Ø4	M5	4 ▲	4	47.7	22.7	17.5	10.7	9.9	10	12.8	16	9
9064102	VNR L 1/8-Ø4	1/8	4 ▲	6	50.6	24.6	17.5	10.7	14	10	12.8	16	12
9064108	VNR L 1/8-Ø6	1/8	6	6	58.5	27.8	20	14.7	14	11.4	14.6	20	12
9064109	VNR L 1/4-Ø6	1/4	6	8	61.5	28.8	20	14.7	18	11.4	14.6	20	14
9064110	VNR L 1/8-Ø8	1/8	8 ▲	6	66.2	31.8	25.5	18.7	15	13.8	18.7	24	14
9064111	VNR L 1/4-Ø8	1/4	8 ▲	8	70.6	34.2	25.5	18.7	18	13.8	18.7	24	14
9064112	VNR L 3/8-Ø8	3/8	8 ▲	9	72.2	34.8	25.5	18.7	22	13.8	18.7	24	17

▲ Ø4 = Ø5/32"; Ø8 = Ø5/16"

VNR L PIPE - G (BSP) THREAD



Code	Ref.	Ø	F	P	A	A1	B	C	E	E1	I	I1	Ch1
9064201	VNR L Ø4-M5	4 ▲	M5	4	47.7	22.7	17.5	10.7	9.9	10	12.8	16	9
9064202	VNR L Ø4-1/8	4 ▲	1/8	6	50.6	24.6	17.5	10.7	14	10	12.8	16	12
9064208	VNR L Ø6-1/8	6	1/8	6	58.5	27.8	20	14.7	14	11.4	14.6	20	12
9064209	VNR L Ø6-1/4	6	1/4	8	61.5	28.8	20	14.7	18	11.4	14.6	20	14
9064210	VNR L Ø8-1/8	8 ▲	1/8	6	66.2	31.8	25.5	18.7	15	13.8	18.7	24	14
9064211	VNR L Ø8-1/4	8 ▲	1/4	8	70.6	34.2	25.5	18.7	18	13.8	18.7	24	14
9064212	VNR L Ø8-3/8	8 ▲	3/8	9	72.2	34.8	25.5	18.7	22	13.8	18.7	24	17

▲ Ø4 = Ø5/32"; Ø8 = Ø5/16"